

## **Custom Made Automotive In-Line Splash-waterproof Auto Fuse Holder 9012 For ATS ATO Fuse 1A~30A**

### **Description**

The Molded Auto Fuse holder is a versatile auto fuse holder for in-line applications. Enable easy fuse installation and replacement with our comprehensive line of fuse blocks, auto fuse holders, and fuse accessories for automotive, electronic, and industrial applications.

Auto Fuse holders for automotive style fuses including MINI, ATO, MAXI, MIDI, MEGA, JCASE and Universal Glass Fuses. Auto Fuse holders are available for In-Line, Bolt-Down, Panel Mount and PCB applications.



### **Specification**

Splash-waterproof Type

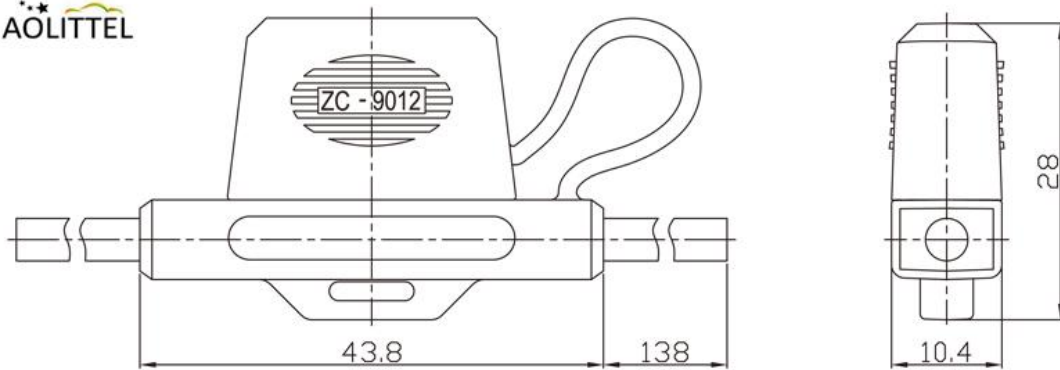
Insulating Body : Plastic

Applicable : For ATS Fuse 1A~30A

Item No.	Wire : UL 1015	
	AWG	Color
ZC-9012A	#12	Red
ZC-9012B	#14	
ZC-9012C	#16	
ZC-9012D	#18	

Dimension

Unit : mm



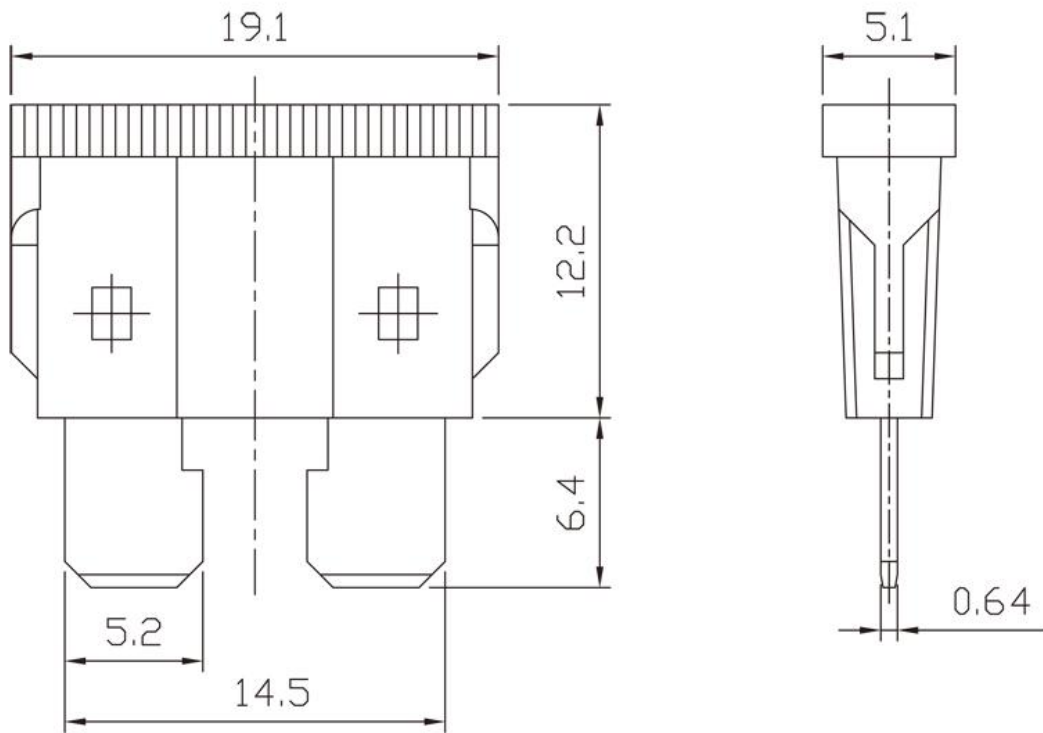
Factory View



Experimental Equipment



Suitable Auto Blade Fuse Specification



## Time-Current Characteristics

Test Current	Opening Time	
	Min.	Max.
110%	100hrs.	---
135%	0.75 s	600 s
160%	0.25 s	50 s
200%	0.15 s	5 s
350%	0.04 s	0.5 s
600%	0.02 s	0.1 s

Item No.	Ampere	Color
ATS 1	1 A	Black
ATS 2	2 A	Grey
ATS 3	3 A	Purple
ATS 4	4 A	Pink
ATS 5	5 A	Orange
ATS 7.5	7.5 A	Black
ATS 10	10 A	Red
ATS 15	15 A	Blue
ATS 20	20 A	Yellow
ATS 25	25 A	White
ATS 30	30 A	Green
ATS 35	35 A	Purple
ATS 40	40 A	Orange

- Fast Acting
- Voltage Rating : DC32V or less
- Interrupting Rating: 1000A @32VDC
- Operating Temperature Range : -40°C to +125°C
- Complies with SAE J1284 / JASOD612 / ISO 8820-3
- Materials :
  1. Zinc Alloy
  2. Plastic

**Characteristics of fuses according to use conditions may change.**